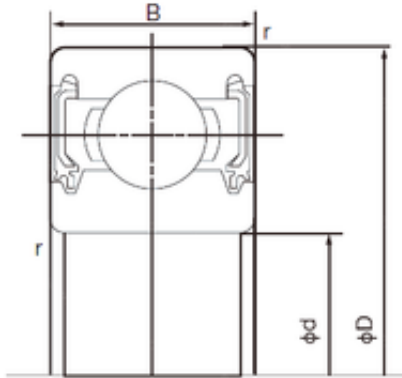




50 mm x 110 mm x 27 mm NACHI 6310-2NKE
deep groove ball bearings



Bearing No. 6310-2NKE

Size	50x110x27 mm
Bore Diameter	50 mm
Outer Diameter	110 mm
Width	27 mm
d	50 mm
D	110 mm
B	27 mm
C	27 mm
r min.	2 mm
da min.	60 mm
Da max.	100 mm
ra max.	2.0 mm
Weight	1.07 Kg
Basic dynamic load rating (C)	62 kN
Basic static load rating (C0)	38 kN

6310-2NKE Bearing 2D drawings and 3D CAD models