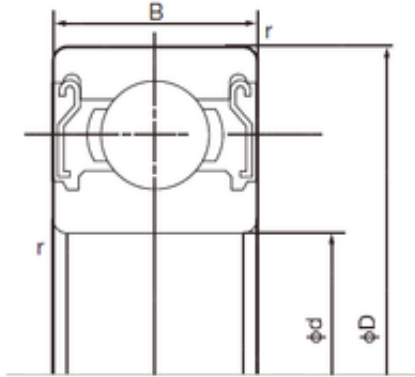




30 mm x 47 mm x 9 mm NACHI 6906ZZE deep groove ball bearings



Bearing No. 6906ZZE

6906ZZE Bearing 2D drawings and 3D CAD models

Size	30x47x9 mm
Bore Diameter	30 mm
Outer Diameter	47 mm
Width	9 mm
d	30 mm
D	47 mm
B	9 mm
C	9 mm
r min.	0.3 mm
da min.	32 mm
Da max.	45 mm
ra max.	0.3 mm
Weight	0.045 Kg
Basic dynamic load rating (C)	7,25 kN
Basic static load rating (C0)	5 kN
Bore Type	Cylindrical Bore
Enclosure	Double Shield
Configuration	Single Row
Bore Size	30 mm
Outside Diameter	47 mm
Width	9 mm
Fillet Radius/Chamfer	0.3 mm
Dynamic Load Rating	7,250 N
Static Load Rating	5,000 N
Limiting Speed - Grease	14,000 rpm



BEARINGS IMPORTED AND EXPORTED CO.,LTD.

Factor fo	15.8
Radial Clearance	0.005 to 0.020 mm
da (min)	32 mm
Da (max)	45 mm
ra (max)	0.3 mm