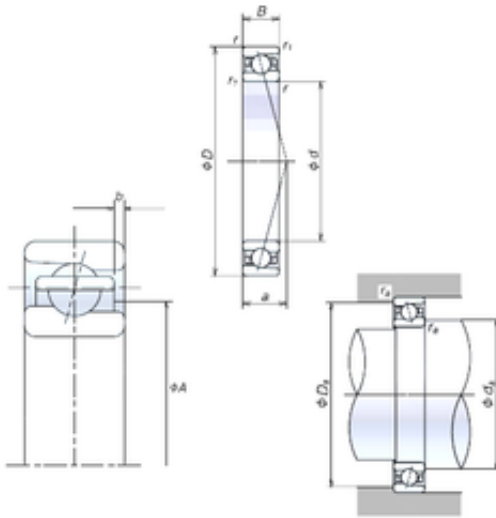




**30 mm x 47 mm x 9 mm NSK 30BER19S
angular contact ball bearings**



Bearing No. 30BER19S

Size	30x47x9 mm
Bore Diameter	30 mm
Outer Diameter	47 mm
Width	9 mm
d	30 mm
D	47 mm
B	9 mm
C	9 mm
Angle (°)	25 °
a	13,5 mm
b	0,5 mm
r min.	0,3 mm
r1 min.	0,15 mm
A	35 mm
da min.	32,5 mm
Da max.	44,5 mm
ra max.	0,3 mm
Weight	0,048 Kg
Basic dynamic load rating (C)	6 kN
Basic static load rating (C0)	3,9 kN
(Grease) Lubrication Speed	31200 r/min

30BER19S Bearing 2D drawings and 3D CAD models