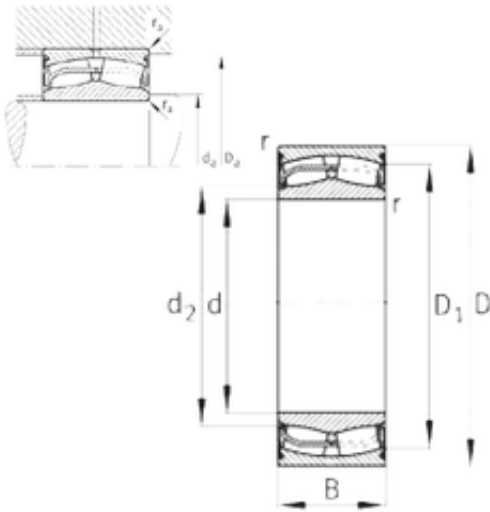




180 mm x 300 mm x 118 mm FAG  
24136-E1-2VSR-H40 spherical roller bearings



Bearing No. 24136-E1-2VSR-H40

24136-E1-2VSR-H40 Bearing 2D drawings and 3D CAD models

Size	180x300x118 mm
Bore Diameter	180 mm
Outer Diameter	300 mm
Width	118 mm
d	180 mm
D	300 mm
B	118 mm
C	118 mm
d2	196,2 mm
r min.	3 mm
D1	276,3 mm
da min.	194 mm
Da max.	286 mm
ra max.	2,5 mm
Weight	33,2 Kg
Basic dynamic load rating (C)	1460 kN
Basic static load rating (C0)	2170 kN
Fatigue load limit (Pu)	203
Limiting speed	500 r/min
Calculation factor (e)	0,36
Calculation factor (Y0)	1,82
Calculation factor (Y1)	1,86