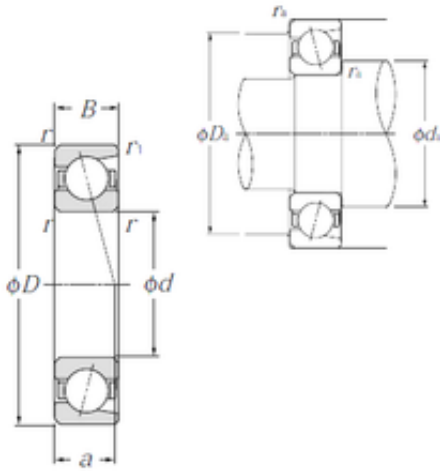




BEARINGS IMPORTED AND EXPORTED CO.,LTD.

160 mm x 240 mm x 38 mm NTN 7032 angular contact ball bearings



7032 Bearing 2D drawings and 3D CAD models

Bearing No. 7032

Size	160x240x38 mm
Bore Diameter	160 mm
Outer Diameter	240 mm
Width	38 mm
d	160 mm
D	240 mm
B	38 mm
C	38 mm
Angle (°)	25 °
a	77 mm
r min.	2,1 mm
r1 min.	1,1 mm
da min.	172 mm
ra max.	2 mm
Weight	5,96 Kg
Basic dynamic load rating (C)	155 kN
Basic static load rating (C0)	176 kN
(Grease) Lubrication Speed	2 700 r/min
Category	Precision Ball Bearings
Inventory	0.0
Manufacturer Name	NTN
Minimum Buy Quantity	N/A
Weight / Kilogram	5.665
EAN	4547359435726
Product Group	B04270



BEARINGS IMPORTED AND EXPORTED CO.,LTD.

Enclosure	Open
Precision Class	ABEC 5 ISO P5
Material - Ball	Steel
Number of Bearings	1 (Single)
Contact Angle	30 Degree
Preload	None
Raceway Style	1 Rib Outer Ring
Cage Material	Brass
Rolling Element	Ball Bearing
Flush Ground	No
Inch - Metric	Metric
Other Features	Single Row Angular Contact
Long Description	160MM Bore; 240MM Outside Diameter; 38MM Width; Open Enclosure; ABEC 5 ISO P5 Precision; Steel Ball Material; 1 (Single) Bearings; 30 Degree Contact Angle; Brass Cage Material; 1 Rib Outer Ring Race
Category	Precision Ball Bearings
UNSPSC	31171531
Harmonized Tariff Code	8482.10.50.28
Noun	Bearing
Keyword String	Angular Contact Ball
Manufacturer URL	http://www.ntnamerica.com
Manufacturer Item Number	7032
Weight / LBS	12.478
Width	1.496 Inch 38 Millimeter
Outside Diameter	9.449 Inch 240 Millimeter
Bore	6.299 Inch 160 Millimeter