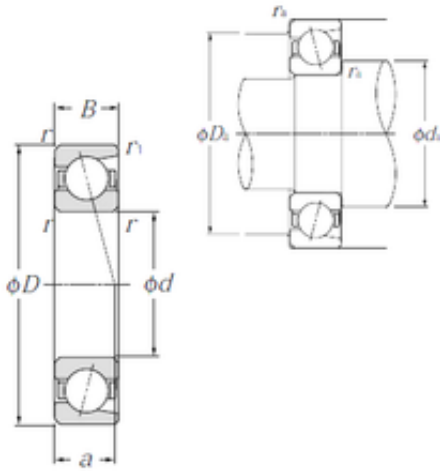




12 mm x 28 mm x 8 mm NTN 7001 angular contact ball bearings



7001 Bearing 2D drawings and 3D CAD models

Bearing No. 7001

Size	12x28x8 mm
Bore Diameter	12 mm
Outer Diameter	28 mm
Width	8 mm
d	12 mm
D	28 mm
B	8 mm
C	8 mm
Angle ( ° )	25 °
a	10 mm
r min.	0,3 mm
r1 min.	0,15 mm
da min.	14,5 mm
db min	14,5 mm
ra max.	0,3 mm
Weight	0,025 Kg
Basic dynamic load rating (C)	5,05 kN
Basic static load rating (C0)	2,46 kN
(Grease) Lubrication Speed	26 000 r/min
Contact angle	30 °
rs min	0.3 mm
r1s min	0.15 mm
Mass	0.02 kg
Dynamic load, C	5.05 kN
Static load, C0	2.46 kN



## BEARINGS IMPORTED AND EXPORTED CO.,LTD.

Fatigue limit load, Cu	0.11 kN
Nlim (oil)	35,000 rpm
Nlim (grease)	26,000 rpm
Min operating temperature, Tmin	-20 ° C
Max operating temperature, Tmax	120 ° C
da min	14.5 mm
Da max	25.5 mm
Db max	26.8 mm
r1a max	0.15 mm
ra max	0.15 mm
Category	Angular Contact Ball Bearings
Inventory	0.0
Manufacturer Name	NTN
Minimum Buy Quantity	N/A
Weight / Kilogram	0.024
EAN	4547359425789
Product Group	B00308
Enclosure	Open
Flush Ground	No
Rolling Element	Ball Bearing
Number of Rows of Balls	Single Row
Precision Class	ABEC 1   ISO P0
Maximum Capacity / Filling Slot	No
Snap Ring	No
Cage Material	Steel
Contact Angle	30 Degree
Internal Clearance	C0-Medium
Number of Bearings	1 (Single)
Inch - Metric	Metric



## BEARINGS IMPORTED AND EXPORTED CO.,LTD.

Long Description	12MM Bore; 28MM Outside Diameter; 8MM Width; Open; No Flush Ground; Ball Bearing; Single Row of Balls; ABEC 1   ISO P0; No Filling Slot; No Snap Ring; C0-Medium; Steel Cage; 30 Degree; 1 (Single)
Category	Angular Contact Ball Bearing
UNSPSC	31171531
Harmonized Tariff Code	8482.10.50.28
Noun	Bearing
Keyword String	Angular Contact
Manufacturer URL	<a href="http://www.ntnamerica.com">http://www.ntnamerica.com</a>
Manufacturer Item Number	7001
Width	0.315 Inch   8 Millimeter
Outside Diameter	1.102 Inch   28 Millimeter
Bore	0.472 Inch   12 Millimeter
bore diameter:	12 mm
radial static load capacity:	2460 N
outside diameter:	28 mm
operating temperature range:	-40 to 120 ° C
overall width:	8 mm
cage material:	Nylon
contact angle:	30 °
maximum rpm:	35000 rpm
row type & fill slot:	Single-Row Non-Fill Slot
finish/coating:	Uncoated
bore type:	Round
precision rating:	ISO Class 0
closure type:	Open
fillet radius:	0.3 mm



## BEARINGS IMPORTED AND EXPORTED CO.,LTD.

snap ring included:	Without Snap Ring
weight:	0.024 kg
bearing material:	High Carbon Chrome Steel
manufacturer product page:	<a href="#">Click here</a>
radial dynamic load capacity:	5050 N